



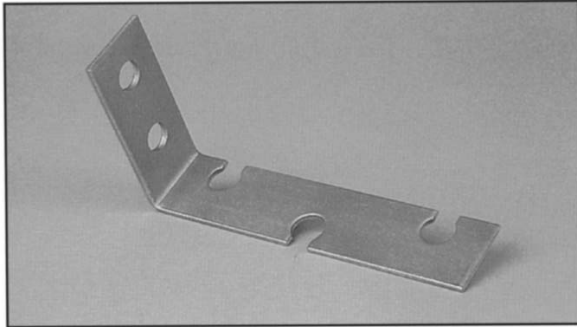
Float Switch Brackets

FEATURES:

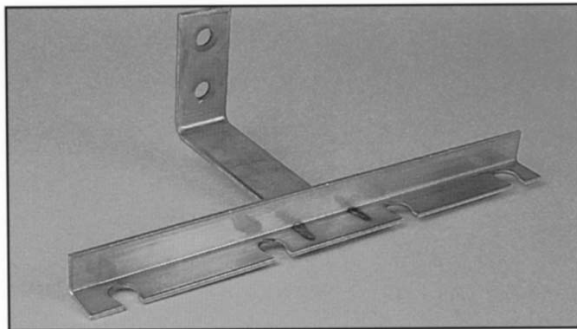
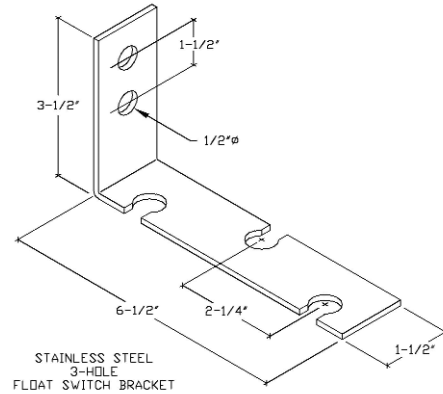
- Helps to Prevent Float Cord from Tangling
- Guides Pump Power Cords
- Compact Design Requires Minimum Space
- Non-Corrosive Stainless Steel Material
- Includes Cord Snubbers

APPLICATIONS INCLUDE:

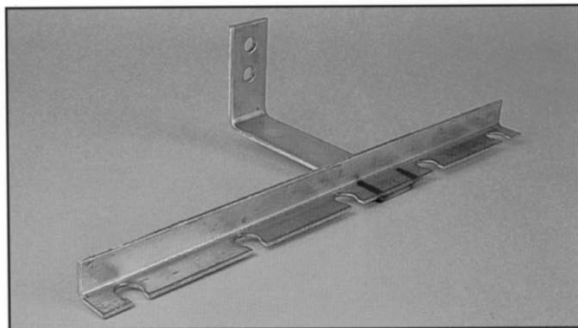
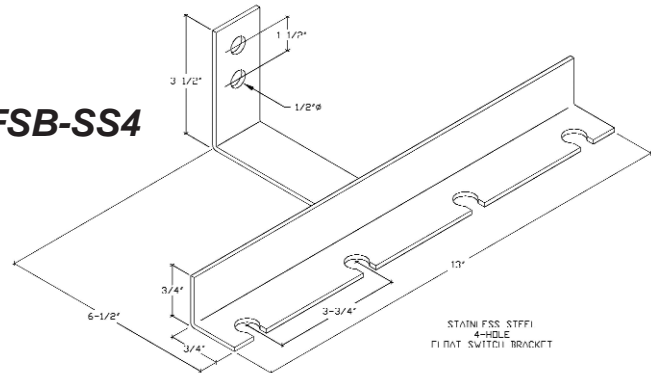
Securing Float & Power Cords Inside:
 Septic Tanks & Aeration Systems
 Cisterns & Atmospheric Storage Tanks
 Chemical Solution Tanks
 And Many More...



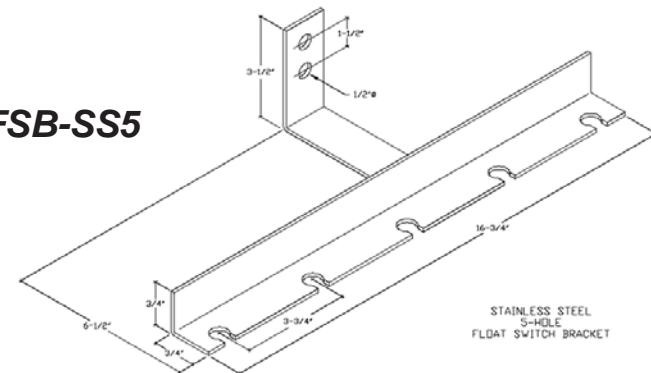
FSB-SS3



FSB-SS4



FSB-SS5



ACCESSORIES

Model	Bracket Material	Number of Cord Holes	Diameter of Cord Holes (Inches)	Approx. Ship Weight	List Price
FSB-SS3	Stainless Steel	3	.375	1 lbs	\$38.46
FSB-SS4	Stainless Steel	4	.375	2 lbs	\$46.62
FSB-SS5	Stainless Steel	5	.375	3 lbs	\$48.85
FSB-SS6 (Not Shown)	Stainless Steel	6	.375	4 lbs	\$53.35