

# RAPID SET™ SYSTEM

## INSTALLATION INSTRUCTIONS

Do not remove side wood stabilizers until anchored to concrete.



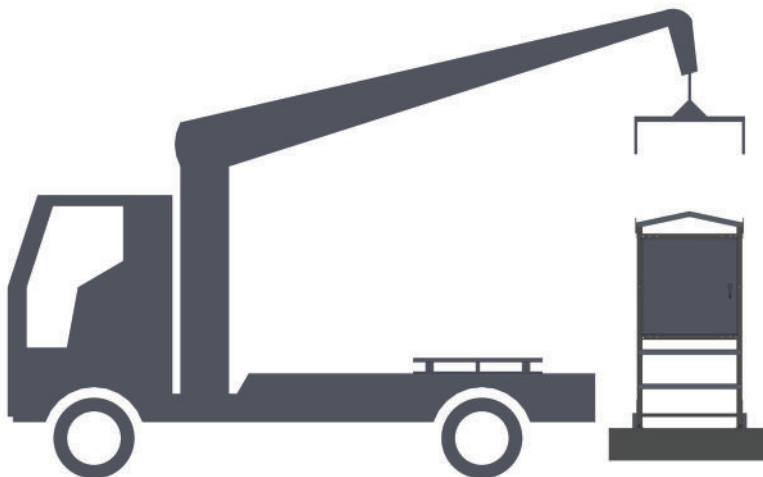
Attach rigging with spreader bar to lifting eyes

 **CAUTION**

**STAY CLEAR FROM  
SUSPENDED LOAD**

LIFTING EYE CAPACITY: 700lbs combined max

Place Rapid Set on concrete pad.



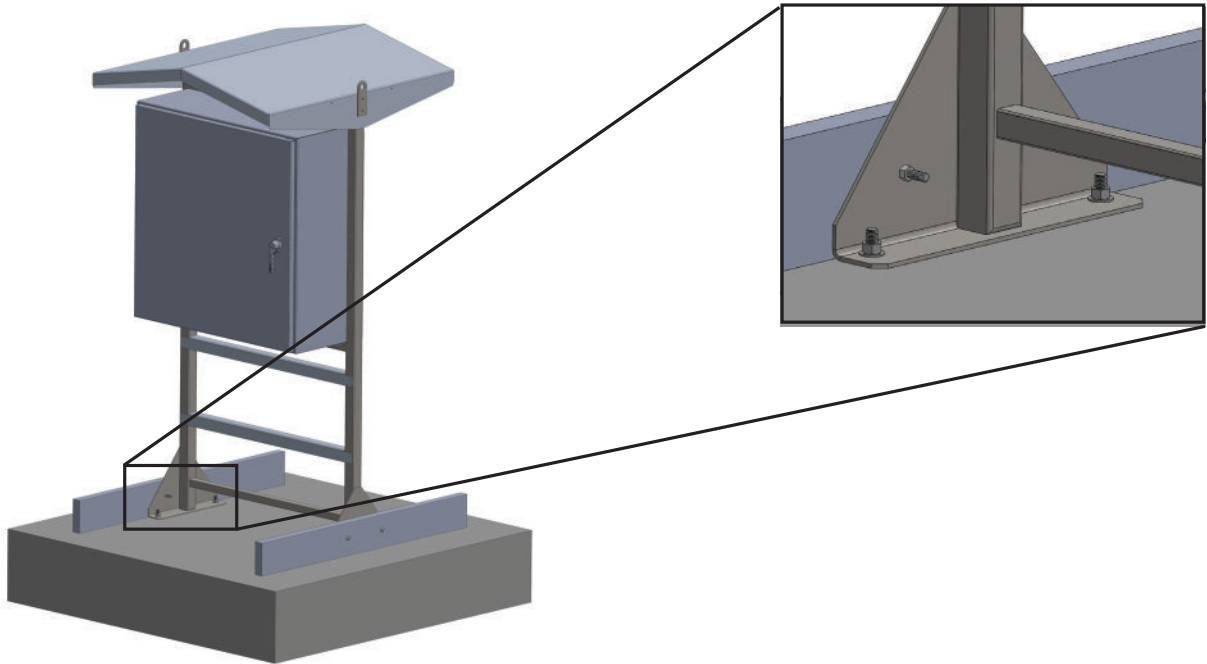
 **WARNING!**

**Tip Over Hazard**

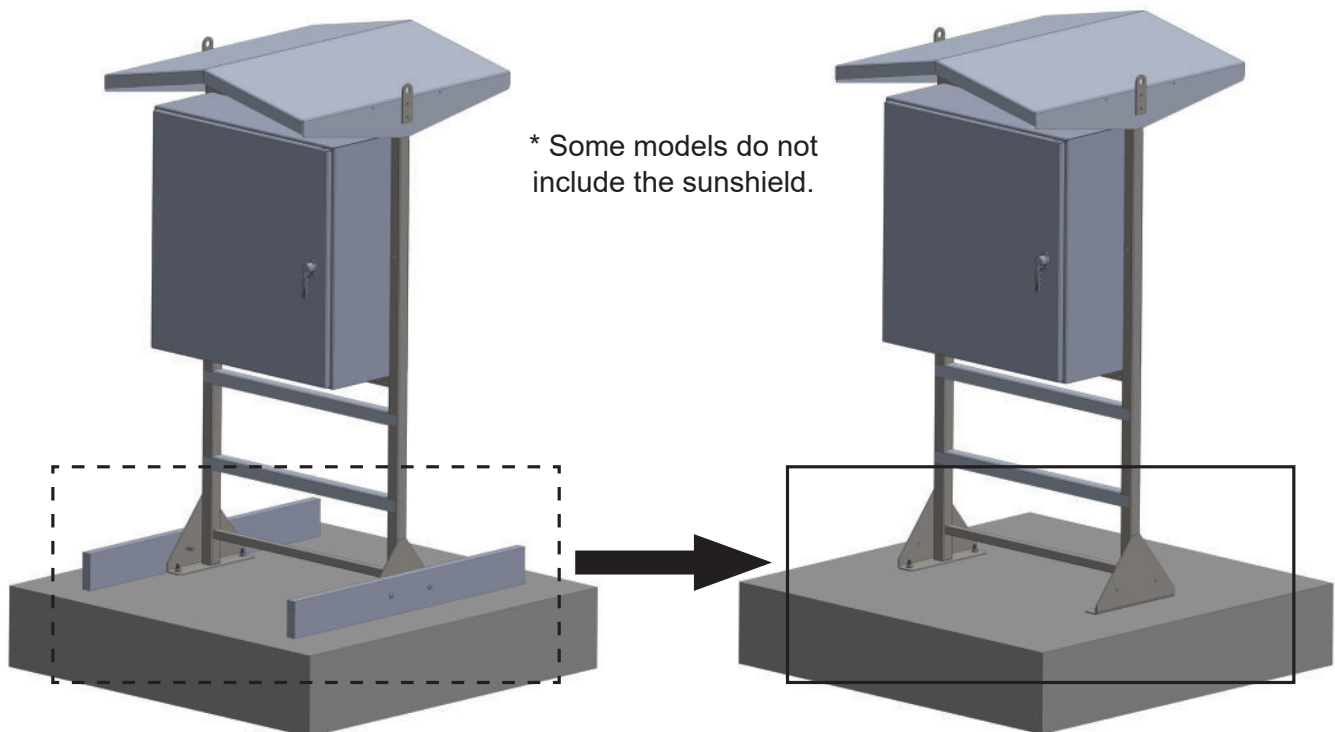
Anchor Rapid Set to the concrete pad

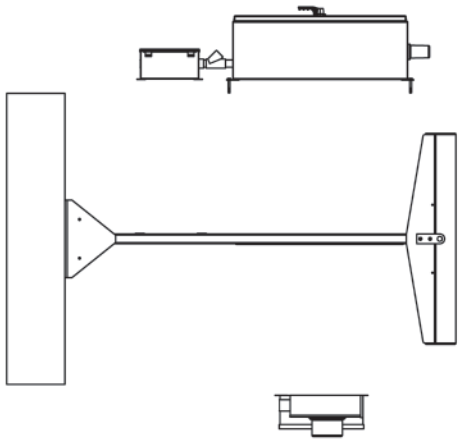
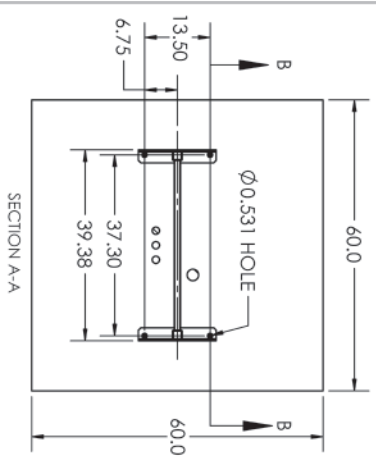
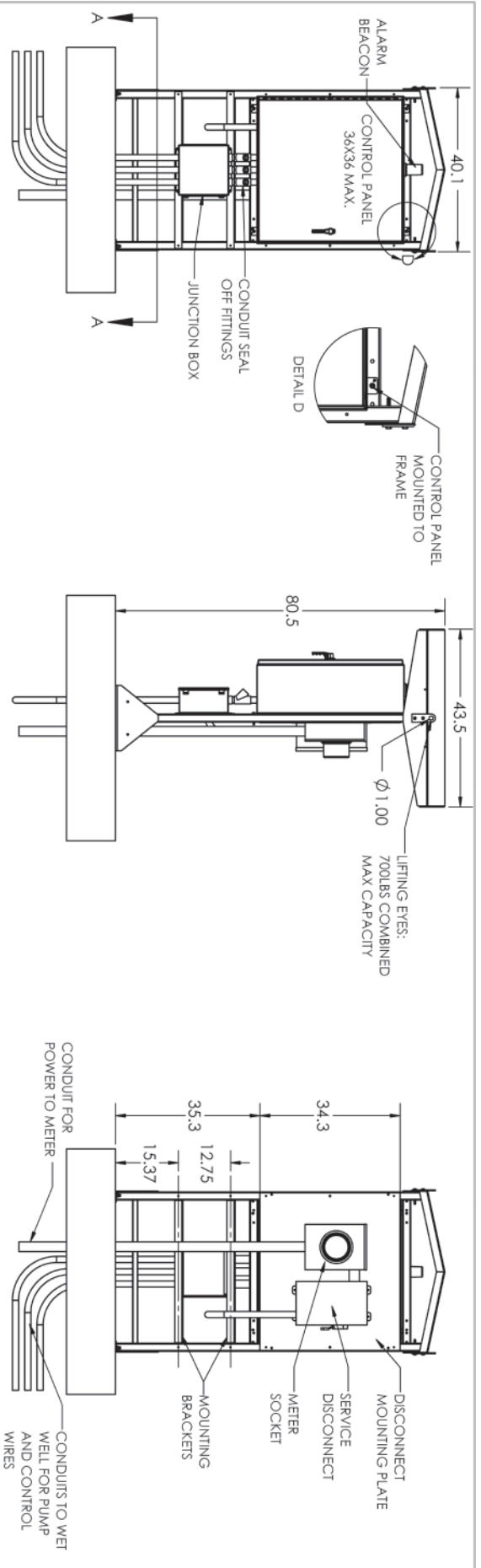
Only use specified anchor bolts, 4 bolts required

- 0.5 DIAMETER WEDGE ANCHOR, ICC APPROVED, MINIMUM TENSION CAPACITY OF 3000 LBS



Remove side wood stabilizers





PROPRIETARY AND CONFIDENTIAL  
 THE INFORMATION CONTAINED IN THIS DRAWING IS THE SOLE PROPERTY OF SJE AND IS TO BE USED FOR THE PROJECT AND SITE SPECIFICALLY IDENTIFIED HEREIN. REUSE OR REPRODUCTION OF THIS DRAWING WITHOUT THE WRITTEN PERMISSION OF SJE IS PROHIBITED.

UNLESS OTHERWISE SPECIFIED: DIMENSIONS ARE IN INCHES		NAME	DATE
TOLERANCES: ANGULAR: MACH - ±2° BEND - ±2° TWO PLACE DECIMAL - ±0.01 THREE PLACE DECIMAL - ±0.003		X.XXXXX	XX.XX.XX
FINISH MATERIAL SEE NOTES		CHECKED	
DRAWN		ENG APPR	
DO NOT SCALE DRAWING		MFG APPR	
COMMENTS:		Q.A.	

TITLE: <b>RAPID SET V1-122</b>		SIZE	DWG. NO.	REV
SCALE: 1:1		WEIGHT:		01
SHEET 1 OF 1				

---

Manufactured by: SJE Inc.  
Technical support: +1-800-746-6287  
techsupport@sjeinc.com

[www.csicontrols.com](http://www.csicontrols.com)

[www.primexcontrols.com](http://www.primexcontrols.com)

[www.sjerhombus.com](http://www.sjerhombus.com)

© 2020 SJE, Inc. All Rights Reserved. PN 1067842C 11/24